

**SPRO**<sup>®</sup>



## DHD10/2812R

1 Megapixel 720P Water-proof  
HDCVI IR Dome Camera



1 MEGAPIXEL



2.8 ~ 12 MM



30m IR



720 P



IP66

### Key Features:

- 1 Megapixel CMOS
- 720P@25fps
- High speed, long distance real-time transmission
- Day/Night(ICR), AWB, AGC, BLC, 2DNR
- 2.8~12mm vari-focal lens
- Max. IR distance 30m, Smart IR
- IP66, DC12V



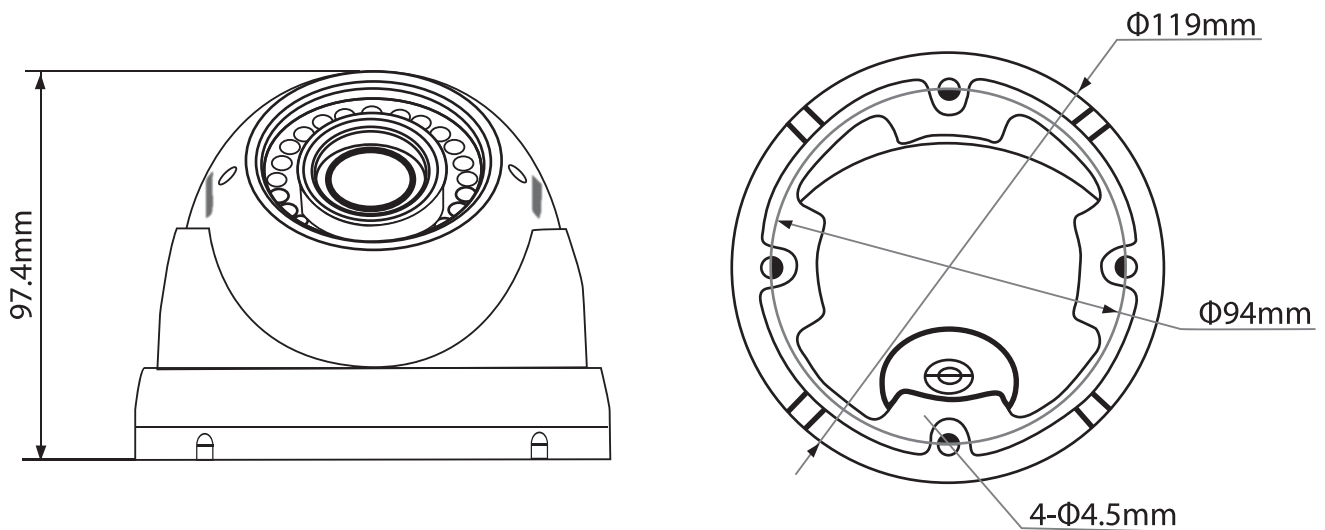
### SPECIFICATIONS

<b>Model Number</b>	DHD10/2812R
<b>Image Sensor</b>	1 Megapixel CMOS
<b>Effective Pixels</b>	1280(H)×720(V)
<b>Electronic Shutter Speed</b>	1/50s~1/100,000s
<b>Video Frame Rate</b>	720P@25fps
<b>Synchronization</b>	Internal
<b>Min. Illumination</b>	0.05Lux/F1.4, 0Lux IR on
<b>Video Output</b>	1-channel BNC HDCVI high definition video output
<b>Camera Features</b>	
<b>Max. IR distance</b>	30m, Smart IR

(continued)

(continued)

<b>Day/Night</b>	Auto(ICR) / Color / B/W
<b>Noise Reduction</b>	2D
<b>Lens</b>	
<b>Focal Length</b>	2.8~12mm
<b>Angle of View</b>	H: 93°~35°
<b>Lens Type</b>	Manual / Fixed Iris
<b>Mount Type</b>	Φ14
<b>General</b>	
<b>Power Supply</b>	DC12V±25%
<b>Power Consumption</b>	Max 2.8W
<b>Working Environment</b>	-30°C~+60°C / Less than 95%RH (no condensation)
<b>Ingress Protection</b>	IP66
<b>Dimensions</b>	Ø119mm × 97.4mm
<b>Weight</b>	0.55kg



All specifications are subject to change without notice. Copyright © Luxrite Ltd. All rights reserved