

SPRO[®]

DHD10/2812RW

1 Megapixel 720P Water-proof
HDCVI IR Dome Camera



1 MEGAPIXEL



2.8 ~ 12 MM



30m IR



720 P



IP66



Key Features:

- 1 Megapixel CMOS
- 720P@25fp
- High speed, long distance real-time transmission
- Day/Night(ICR), AWB, AGC, BLC, 2DNR
- 2.8~12mm vari-focal lens
- Max. IR distance 30m, Smart IR
- IP66, DC12V

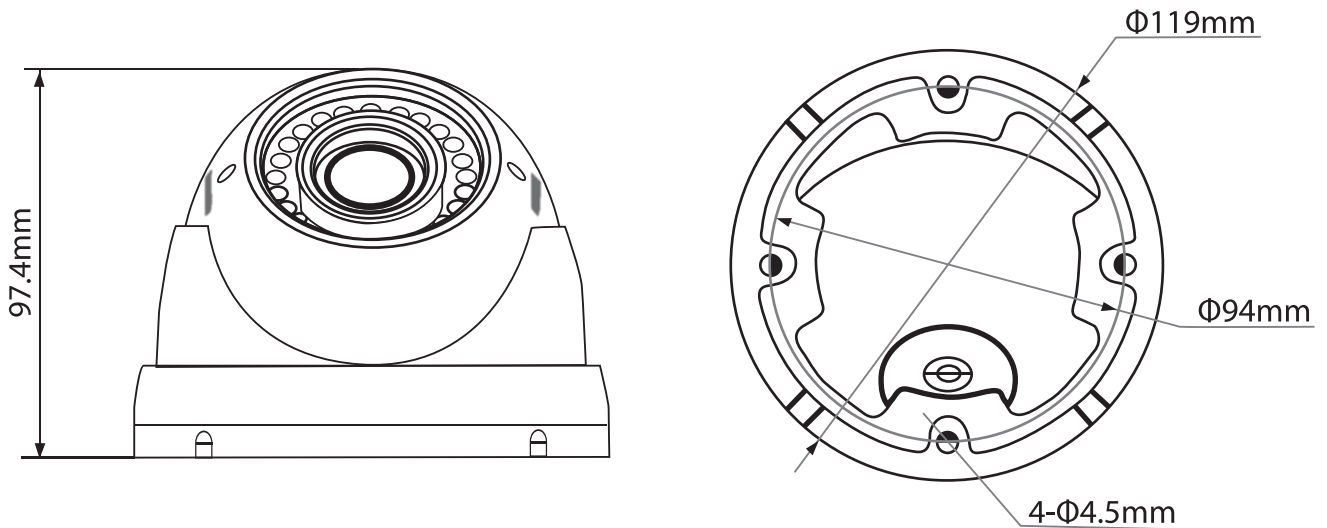
SPECIFICATIONS

Model Number	DHD10/2812RW
Image Sensor	1 Megapixel CMOS
Effective Pixels	1280(H)×720(V)
Electronic Shutter Speed	1/50s~1/100,000s
Video Frame Rate	720P@25fps
Synchronization	Internal
Min. Illumination	0.05Lux/F1.4, 0Lux IR on
Video Output	1-channel BNC HDCVI high definition video output
Camera Features	
Max. IR distance	30m, Smart IR

(continued)

(continued)

Day/Night	Auto(ICR) / Color / B/W
Noise Reduction	2D
Lens	
Focal Length	2.8~12mm
Angle of View	H: 93°~35°
Lens Type	Manual / Fixed Iris
Mount Type	Φ14
General	
Power Supply	DC12V±25%
Power Consumption	Max 2.8W
Working Environment	-30°C~+60°C / Less than 95%RH (no condensation)
Ingress Protection	IP66
Dimensions	Ø119mm × 97.4mm
Weight	0.55kg



All specifications are subject to change without notice. Copyright © Luxrite Ltd. All rights reserved