

SPRO[®]

DHD40/28RW-T-M

4 Megapixel IR Dome Camera
With Microphone Built-in



4 MEGAPIXEL



2.8MM



50m IR



IP67



Key Features:

- 4MP@25fps
- 2.8mm fixed Lens
- POC (power over co-ax)
- Up to 200m POC transmission distance
- Up to 50M IR distance
- Smart IR
- IP67 waterproof
- DC12V



SPECIFICATIONS

| | |
|---------------------------------|---------------------------------|
| Model Number | DHD40/28RW-T-M |
| Image Sensor | 1/3" CMOS |
| Effective Pixels | 2688(H)×1520(V), 4MP |
| Scanning System | Progressive |
| Electronic Shutter Speed | 1/25~1/100000s |
| Min. Illumination | 0.03Lux/F1.9, 30IRE, 0Lux IR on |
| S/N Ratio | More than 65dB |
| Max. IR LEDs Length | Up to 50m |
| IR On/Off Control | Auto/ Manual |
| IR LEDs | 1 |

(continued)

Lens

| | |
|----------------------|-------------------------|
| Lens Type | Fixed lens / Fixed iris |
| Mount Type | Board-in |
| Focal Length | 2.8mm |
| Max Aperture | F2.0 |
| Angle of View | H:84.8° |
| Focus Control | N/A |

Pan/Tilt/Rotation

| | |
|--------------------------------|--|
| Pan/Tilt/Rotation Range | Pan:0°~360° / Tilt: 0° ~ 78° / Rotation: 0° ~ 360° |
|--------------------------------|--|

Video

| | |
|------------------------|-----------------------------------|
| Resolution | 4MP (2560x1440) |
| Frame Rate | 25@4MP, 25fps@1080P, 25fps@720P |
| Video Output | 1-channel BNC HD-CVI video output |
| Day/Night | Auto (ICR) / Manual |
| OSD Menu | Multi-language |
| BLC Mode | BLC / HLC / DWDR |
| WDR | DWDR |
| Gain Control | AGC |
| Noise Reduction | 2D |
| White Balance | Auto / Manual |
| Smart IR | Auto / Manual |

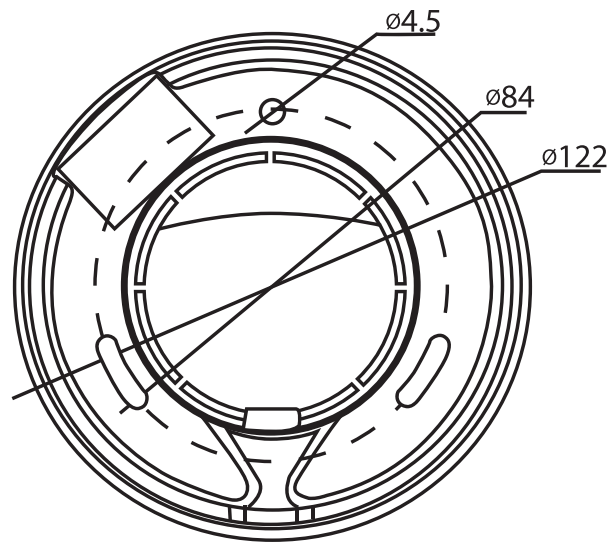
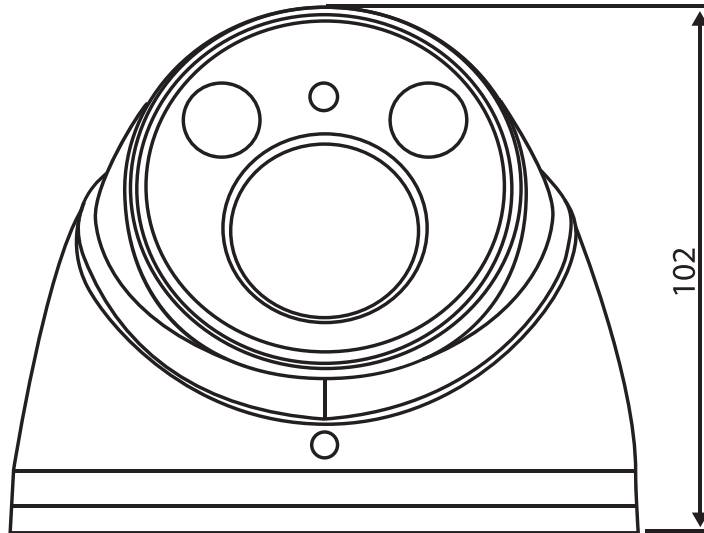
Interface

| | |
|------------------------|--------------|
| Audio Interface | Built-in Mic |
|------------------------|--------------|

General

| | |
|-----------------------------|----------------------------------|
| Power Supply | 12V DC ±25% |
| Power Consumption | Max 4.1W (12V DC, IR on) |
| Operating Conditions | -40°C ~ +60°C / Less than 90% RH |
| Storage Conditions | -40°C ~ +60°C / Less than 90% RH |
| Ingress Protection | IP67 |

| | |
|---------------------|------------------------------|
| Casing | Aluminium |
| Dimensions | Φ106mm×93.7mm (Φ4.17"×3.69") |
| Net Weight | 0.44kg (0.97lb) |
| Gross Weight | 0.58kg (1.28lb) |



All specifications are subject to change without notice. Copyright © Luxrite Ltd. All rights reserved