

SPRO[®] IP



DHIPD40/36RW

4 Megapixel IP Small Eyeball Dome Camera



Key Features:

- 4 Megapixel progressive scan CMOS
- H.264&MJPEG dual-stream encoding
- Max 20fps@4MP(2688×1520)
- DWDR, Day/Night(ICR), 3DNR, AWB, AGC, BLC
- Multiple network monitoring: Web viewer & CMS(SPRO CSS)
- 3.6mm fixed lens
- Max. IR LEDs Length 15m
- IP66
- DC12V/PoE

SPECIFICATIONS

Model Number	DHIPD40/36RW
Image Sensor	4 Megapixel progressive scan CMOS
Effective Pixels	2688(H) X 1520(V)
Scanning System	Progressive
Electronic Shutter Speed	Auto/Manual, 1/3(4)s~1/30000s
Min. Illumination	0.1Lux/F2.0(Color), 0Lux/F2.0(IR on)
S/N Ratio	More than 50dB
Video Output	N/A
Camera Features	
Max. IR LEDs Length	15m

(continued)

(continued)

Day/Night	Auto(ICR)/Color/B/W
Backlight Compensation	BLC / HLC / DWDR
White Balance	Auto/Manual
Gain Control	Auto/Manual
Noise Reduction	3D
Privacy Masking	Up to 4 areas

Lens

Focal Length	3.6mm
Max Aperture	F2.1(F2.0)
Focus Control	Manual
Angle of View	H: 92°(81°)

Video

Compression	H.264/ H.264H/ H.264B/ MJPEG	
Resolution	4MP(2688×1520)/3MP(2304×1296)/ 1080P(1920×1080)/1.3M(1280×960) 720P(1280×720)/D1(704×576/704×480)/V GA(640×480)/CIF(352×288/352×240)	
Frame Rate	Main Stream	4MP(1~20fps)
	Sub Stream	D1(1 ~ 20fps)
Bit Rate	H.264: 4kbps ~ 10240kbps	

Audio

Compression	N/A
Interface	N/A

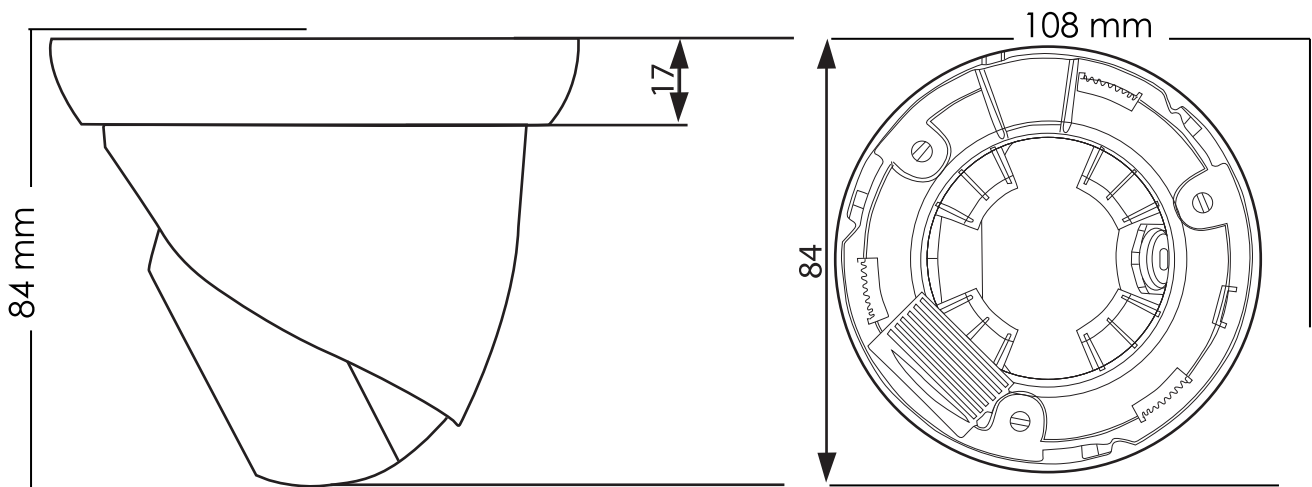
Network

Ethernet	RJ-45 (10/100Base-T)
Wi-Fi	N/A
Protocol	IPv4/IPv6, HTTP, HTTPS, TCP/IP, UDP, UPnP, ICMP, IGMP, RTSP, RTP, SMTP, NTP, DHCP, DNS, PPPOE, DDNS, FTP, IP Filter, QoS
Compatibility	ONVIF 2.4
Max. User Access	20 users
Smart Phone	iPhone, iPad & Android

Auxiliary Interface

Memory Slot	N/A
RS485	N/A

Alarm	N/A
PIR Sensor Range	N/A
General	
Power Supply	DC12V, PoE (802.3af)
Power Consumption	<3.7W(IR on)
Working Environment	-30°C~+60°C, Less than 95% RH
Ingress Protection	IP66
Vandal Resistance	N/A
Dimensions	Ø108mm × 84mm
Weight	0.25Kg(with package 0.38Kg)



All specifications are subject to change without notice. Copyright © Luxrite Ltd. All rights reserved