

SPRO[®]

DHIPH12-FISHEYE

12 Megapixel Vandal Resistant IR Fisheye Camera

ONVIF



12 MEGAPIXEL



1.57 MM



H.264



10m IR



VANDAL RESIST



IP66



Key Features:

- 12 Megapixel progressive CMOS
- H.264 & MJPEG dual-stream encoding
- Max 25/30fps@3M(2048x1536) or 15fps@12M(4000x3000)
- DWDR, Day/Night(ICR), 3DNR,ROI, AWB, AGC, BLC
- Multiple network monitoring: Web viewer & CMS(SPRO CSS)
- 1/1 Audio in/out(Built in Mic)
- Max IR LEDs Length 10m
- IP66 waterproof and IK10 vandal resistance
- DC12V/PoE

SPECIFICATIONS

Model Number	DHIPH12-FISHEYE
Image Sensor	1/2.3" 12M progressive scan CMOS
Effective Pixels	4000(H)x3000(V)
Scanning System	Progressive
Electronic Shutter Speed	Auto/Manual 1/3~1/100000
Min. Illumination	0.01Lux/F2.2(Color), 0Lux/F2.2(IR on)
S/N Ratio	More than 50dB
Video Output	N/A
Camera Features	
Max. IR LEDs Length	10m

(continued)

(continued)

Day/Night	Auto(ICR) / Color / B/W
Backlight Compensation	BLC/ HLC/DWDR
White Balance	Auto/Manual
Gain Control	Auto/Manual
Noise Reduction	3D
Privacy Masking	Up to 4 areas

Lens

Focal Length	1.57mm
Max Aperture	F2.2
Focus Control	Manual
Angle of View	185°/185°/185°
Lens Type	Manual
Mount Type	Board-in Type

Video

Compression	H.264H/MJPEG
Resolution	12M(4000×3000)/8M(2880×2880)/6M(2880×2160)/3M(2048×1536)
Frame Rate	Main Stream: 12M(1~15fps)/3M (1 ~ 25/30fps) Sub Stream: D1/CIF(1 ~ 15fps)
Bit Rate	1536Kbps~12288Kbps
Correct Mode	Original ,Panoramic, Double Panoramic,1+3,Eptz,4 pictures

Audio

Compression	G.711a/G.711Mu/G.726/PCM
Interface	1/1 channel In/Out(Built in Mic)

Network

Ethernet	RJ-45 (10/100Base-T)
Wi-Fi	N/A
Protocol	HTTP,TCP,ARP,RTSP,RTP,UDP,RTCP,SMTP,FTP,DHCP,DNS,DDNS,PPPOE,IPv4/v6,S
Compatibility	ONVIF,PSIA,CGI
Max. User Access	20 users
Smart Phone	iPhone, iPad & Android
Management Software	SPRO CSS, EASYVIEWER

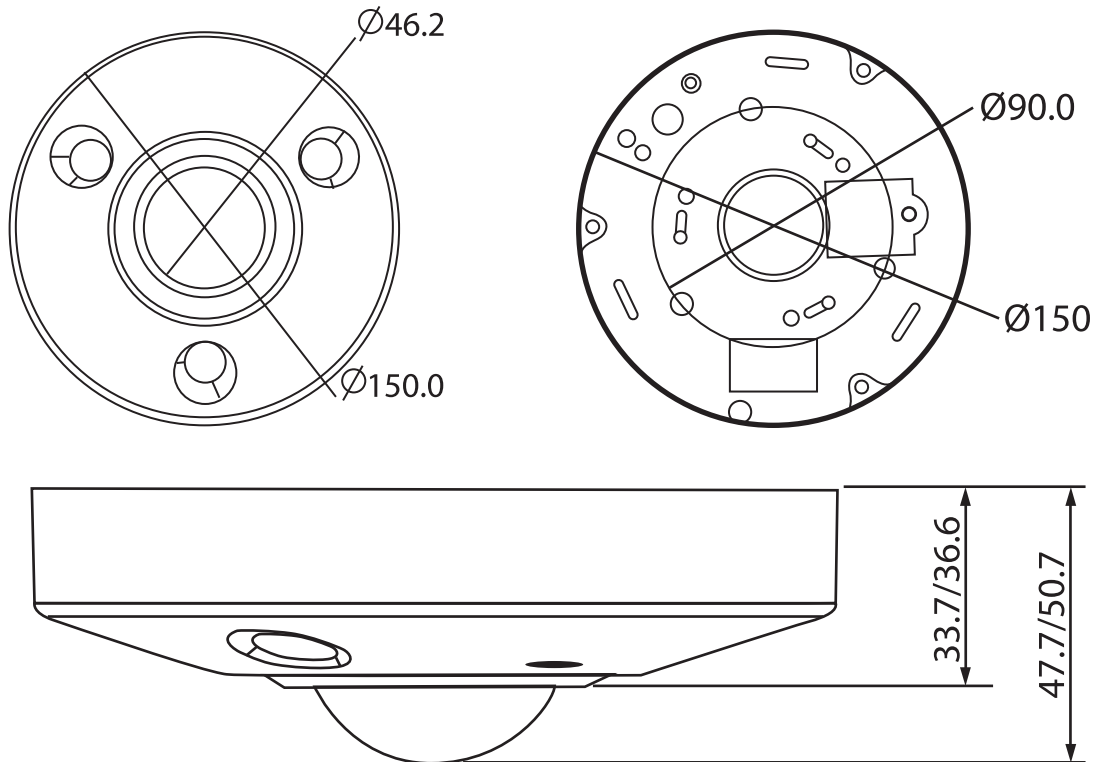
(continued)

Auxiliary Interface

Memory Slot	Micro SD
RS485	N/A
Alarm	2/1 channel In/Out
PIR Sensor Range	N/A

General

Power Supply	DC12V, PoE (802.3af)
Power Consumption	<13W
Working Environment	-30°C~+60°C, Less than 95%RH
Ingress Protection	IP67
Vandal Resistance	IK10
Dimensions	Φ150mm x 50.7mm 1.07Kg (2.36lb)
Weight	0.58kg (0.86kg with packaging)



All specifications are subject to change without notice. Copyright © Luxrite Ltd. All rights reserved