

SPRO[®] IP



DHIPQ40/28RW

4 Megapixel IP Small IR Bullet Camera



4 MEGAPIXEL



2.8MM



15m IR



IP66



Key Features:

- 4 Megapixel progressive scan CMOS
- H.265 & H.264 dual-stream encoding
- Max 20fps@4MP(2688×1520) or 25fps@3MP(2304×1296)
- WDR(120dB), Day/Night(ICR), 3DNR, AWB, AGC, BLC
- Multiple network monitoring: Web viewer & CMS(SPRO CSS)
- 2.8mm fixed lens
- Max. IR LEDs Length 15m
- IP66
- DC12V/PoE



SPECIFICATIONS

| | |
|---------------------------------|---|
| Model Number | DHIPQ40/28RW |
| Image Sensor | 4 Megapixel progressive scan CMOS |
| Effective Pixels | 2688(H)x1520(V) |
| Scanning System | Progressive |
| Electronic Shutter Speed | Auto/Manual, 1/3~1/100000s |
| Min. Illumination | 0.08Lux/F2.0(Color,1/3s,30IRE), 0Lux/F2.0(IR on) |
| S/N Ratio | More than 50dB |
| Max. IR LEDs Length | Distance up to 15m |
| IR On/Off Control | Auto/ Manual |
| IR LEDs | 18 |

(continued)

Lens

| | |
|----------------------|---------------|
| Lens Type | Fixed |
| Mount Type | Board-in |
| Focal Length | 2.8 mm |
| Max Aperture | F2.0(F2.0) |
| Focus Control | Fixed |
| Angle of View | H:104°, V:57° |

Video

| | | |
|---|--|------------------------------|
| Compression | H.265/H.264H/MJPEG(Sub Stream) | |
| Resolution | 4M(2688x1520)/3M(2304x1296)/1080P(1920x1080)/720P(1280x720) VGA(640x480)/D1(704x576/704x480)/CIF(352x288/352x240) | |
| Frame Rate | Main Stream | 4M(1 ~ 20fps)/3M (1 ~ 25fps) |
| | Sub Stream | D1(1 ~ 25fps) |
| Bit Rate | H.265: 12K ~ 8448Kbps / H.264: 32K ~ 10240Kbps | |
| Day/Night | Auto(ICR) / Color / B/W | |
| BLC Mode | BLC / HLC / WDR(120dB) | |
| White Balance | Auto/Natural/Street Lamp/Outdoor/Manual | |
| Gain Control | Auto/Manual | |
| Noise Reduction | 3D DNR | |
| Motion Detection | Off / On (4 Zone, Rectangle) | |
| Region of Interest | Off / On (4 Zone) | |
| Electronic Image Stabilization (EIS) | N/A | |
| Smart IR | Support | |
| Digital Zoom | 16x | |
| Flip | 0°/90°/180°/270° | |
| Mirror | Off / On | |
| Privacy Masking | Off / On (4 Area, Rectangle) | |

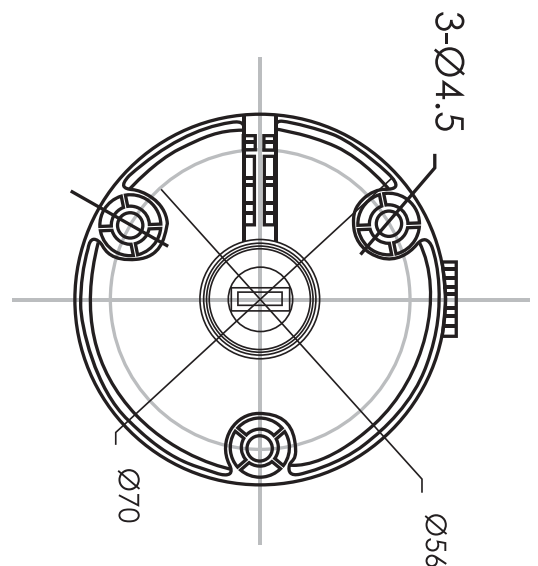
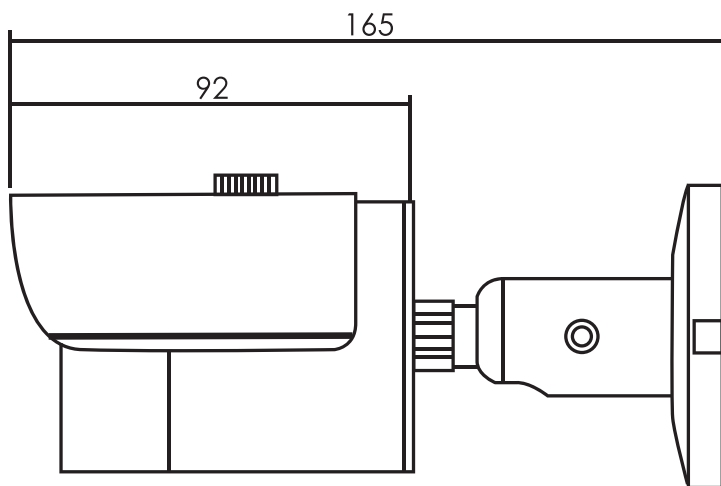
Network

| | |
|-----------------|---|
| Ethernet | RJ-45 (10/100Base-T) |
| Wi-Fi | N/A |
| Protocol | IPv4/IPv6, HTTP, HTTPS, TCP/IP, UDP, UPnP, ICMP, IGMP, RTSP, RTP, SMTP, NTP, DHCP, DNS, PPPOE, DDNS, FTP, IP Filter, QoS |

(continued)

(continued)

| | |
|----------------------------|-------------------------------|
| Compatibility | ONVIF 2.4 |
| Max. User Access | 20 users |
| Smart Phone | iPhone, iPad & Android |
| Auxiliary Interface | |
| RS485 | N/A |
| Alarm | N/A |
| PIR Sensor Range | N/A |
| General | |
| Power Supply | DC12V, PoE (802.3af) |
| Power Consumption | <5.5W |
| Working Environment | -30°C~+60°C, Less than 95% RH |
| Ingress Protection | IP66 |
| Vandal Resistance | N/A |
| Dimensions | Ø70mm × 165mm |
| Weight | 0.38Kg(with package 0.44 Kg) |



All specifications are subject to change without notice. Copyright © Luxrite Ltd. All rights reserved