

SPRO[®]

DHPTZ20/12X-F

2 Megapixel HDCVI IR PTZ Camera
12x Optical Zoom
PTZ control over coax cable



STARLIGHT

Key Features:

- 12x optical zoom
- 1080P@25fps(1920x1080)
- DWDR, Day/Night(ICR), Ultra DNR, Auto iris, Auto focus
- Max 300°/s pan speed, 360° endless pan rotation
- PTZ control over coaxial cable, long distance real-time transmission
- Up to 300 presets, 5 auto scan, 8 tour, 5 pattern
- Built-in 2/1 alarm in/out
- Intelligent 3D positioning & Zoom using mouse control



SPECIFICATIONS

Model Number	DHPTZ20/12X-F
Image Sensor	1/2.8" STARVIS CMOS
Effective Pixels	1920(H) x 1080(V), 2Megapixels
Scanning System	Progressive
Electronic Shutter Speed	1/1 ~ 1/30,000s
Min. Illumination	Color: 0.005Lux@F1.6; B/W: 0.005Lux@F1.6
S/N Ratio	More than 50dB
Resolution	1080P@25fps
Video Output	1-channel BNC HDCVI high definition video output

(continued)

Lens

Focal Length	5.3mm~64mm
Max Aperture	F1.6~ F3.0
Angle of View	H: 58.2° ~ 4.8°
Optical Zoom	12x
Focus Control	Auto / Manual
Close Focus Distance	100mm~ 1000mm

PTZ

Pan/Tilt Range	Pan: 0° ~ 360° endless; Tilt: -2° ~ 90°, auto flip 180°
Manual Control Speed	Pan: 0.1° ~300° /s; Tilt: 0.1° ~120° /s
Preset Speed	Pan: 300° /s; Tilt: 200° /s
Preset	300
PTZ Mode	5 Pattern, 8 Tour, Auto Pan, Auto Scan
Speed Setup	Human-oriented focal length/ speed adaptation
Power up Action	Auto restore to previous PTZ and lens status after power failure
Idle Motion	Activate Preset/ Scan/ Tour/ Pattern if there is no command in the specified period
Protocol	DH-SD, Pelco-P/D (Auto recognition)

Video

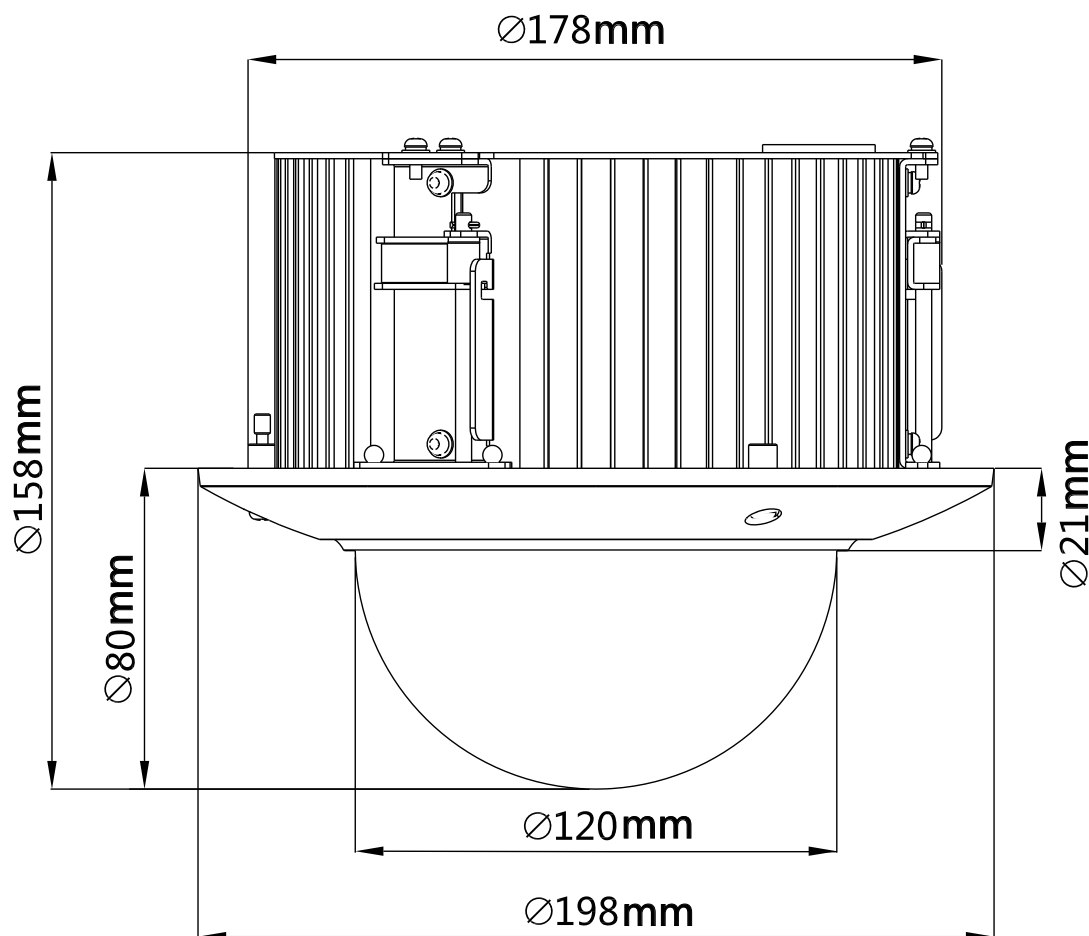
Resolution	1080P(1920×1080)/720P(1280×720)
Frame Rate	25/30fps@1080P, 25/30/50/60fps@720P
Video Output	1-channel BNC high definition video output/ CVBS standard definition video output (switchable)
Day/Night	Auto(ICR) / Color / B/W
OSD Menu	Support
Backlight Compensation	BLC / HLC / WDR(120dB)
White Balance	Auto, ATW, Indoor, Outdoor, Manual
Gain Control	Auto / Manual
Noise Reduction	Ultra DNR (2D/3D)
Digital Zoom	16x
Flip	180°
Privacy Masking	Up to 24 areas

Interface

Video Interface	1
Audio Interface	1 channel in
RS485	1
Alarm I/O	2/1

General

Power Supply	AC24V/1.5A(±10%)
Power Consumption	10W
Working Environment	-30°C ~ 60°C / Less than 90% RH
Ingress Protection	N/A
Vandal Resistance	N/A
Dimensions	Φ198(mm) x 158(mm)
Weight	3.3Kg



All specifications are subject to change without notice. Copyright © Luxrite Ltd. All rights reserved