

SPRO[®]

DHQ20/28RW-PIR

2MP IR BULLET CAMERA
PIR DETECTOR BUILT-IN (ALARM OVER CO-AX)



HDCVI

Key Features:

- 2Megapixel CMOS
- 1080P@25fps, 720@50fps
- HDCVI
- Day/Night(ICR), AWB, AGC, BLC, 2DNR
- 2.8mm fixed lens
- 10m/95° detecting range/angle
- Max. IR distance 20m, Smart IR
- IP66 waterproof
- DC12V



SPECIFICATIONS

Model Number	DHQ20/28RW-PIR
Image Sensor	1/2.7" CMOS
Effective Pixels	1920(H)×1080(V), 2MP
Electronic Shutter Speed	1/4~1/100000s
Minimum Illumination	0.02Lux/F2.0(Color), 30IRE, 0Lux IR on
S/N Ratio	More than 65dB
Scanning System	Progressive
Camera Features	
Max. IR distance	20m, Smart IR

(continued)

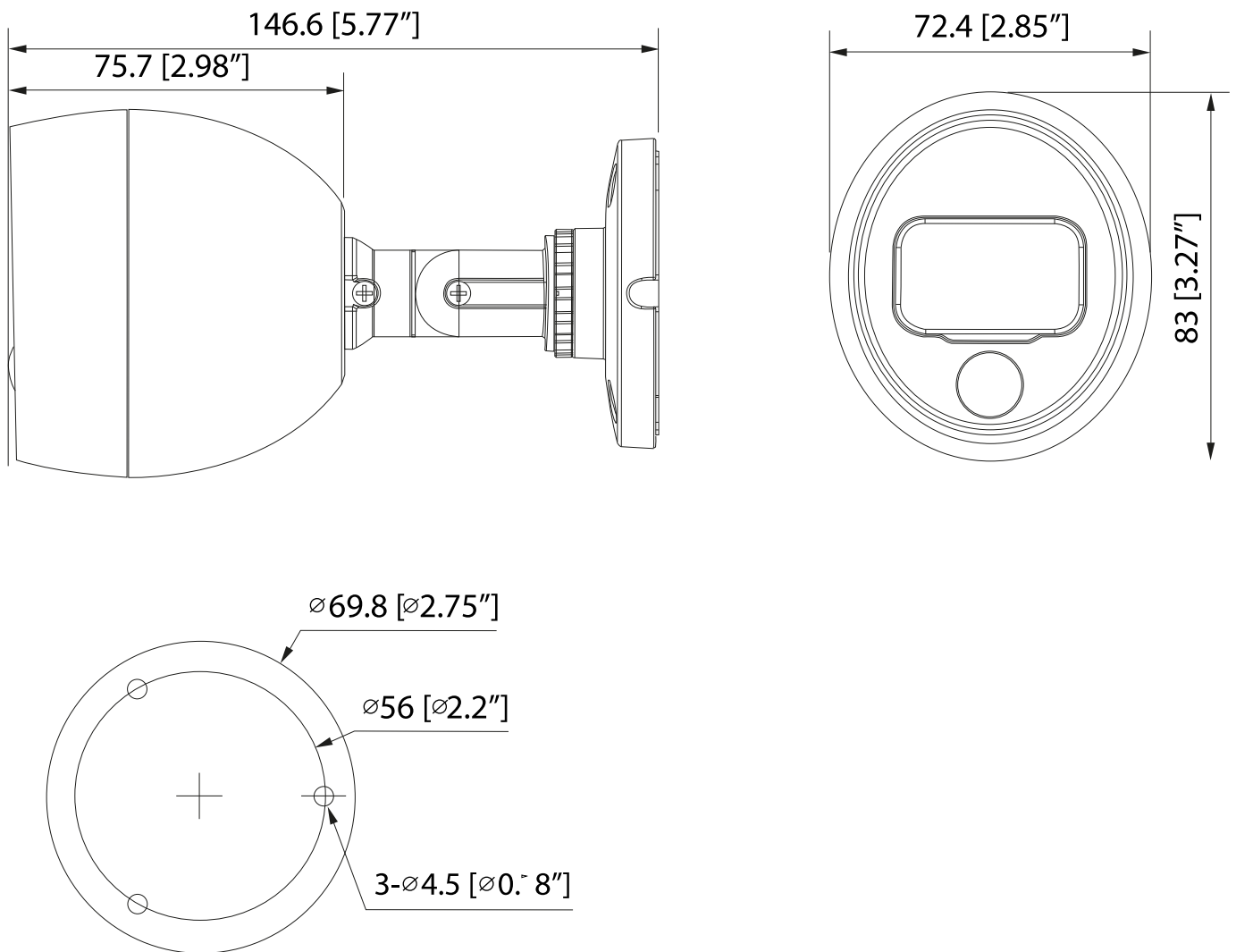
(continued)

IR On/Off Control	Auto / Manual
IR LEDs	1
Day/Night	Auto (ICR) / Manual
Lens Type	Fixed lens / Fixed iris
Mount Type	Board-in
Focal Length	2.8mm
Max Aperture	F2.0
Pan / Tilt / Rotation	
Pan/Tilt/Rotation	Pan: 0° ~ 360° / Tilt: 0° ~ 90° / Rotation: 0° ~ 360°
Video	
Resolution	1080P (1920×1080)
Frame Rate	25fps@1080P, 25/50fps@720P
Video Output	1-channel BNC high definition video output / CVBS video output (switchable)
OSD Menu	Multi-language
BLC Mode	BLC / HLC / DWDR
WDR	DWDR
Gain Control	AGC
Noise Reduction	2D
White Balance	Auto / Manual
Smart IR	Auto / Manual
PIR	
Detection	Passive infrared
Detection Range	10m, 95°
Alarm prompt	Red led
Installation height	Default bracket, wall mount, 2.2-2.5m
General	
Power Supply	12V DC ±30%
Power Consumption	Max 4.1W (12V DC, IR on)
Working Environment	-10°C~+50°C, Less than 95% RH

(continued)

(continued)

Ingress Protection	IP66
Vandal Resistance	N/A
Dimensions	146.6mm×72.4mm×83mm
Weight	0.30Kg



All specifications are subject to change without notice. Copyright © Luxrite Ltd. All rights reserved