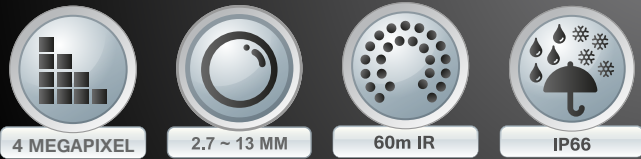


SPRO[®]

DHQ40/2713R-60M

4 MEGAPIXEL IR BULLET CAMERA



Key Features:

- 4MP@25fps
- 2.7~13mm vari-focal lens
- Max. IR distance 60m
- Smart IR
- WDR
- IP66 waterproof
- DC12V



SPECIFICATIONS

Model Number	DHQ40/2713R-60M
Image Sensor	1/3" CMOS
Effective Pixels	2688(H)×1520(V), 4MP
Scanning System	Progressive
Electronic Shutter Speed	1/25~1/100000s
Min. Illumination	0.03Lux/F1.3, 30IRE, 0Lux IR on
S/N Ratio	More than 65dB
Max. IR LEDs Length	Up to 60m
IR On/Off Control	Auto/ Manual
IR LEDs	4

(continued)

Lens

Lens Type	Vari-focal lens
Mount Type	Board-in
Focal Length	2.7-13.5mm
Max Aperture	F1.3
Angle of View	H:98°~26°
Focus Control	Manual

Pan/Tilt/Rotation

Pan/Tilt/Rotation Range	Pan:0°~360° / Tilt: 0° ~ 87° / Rotation: 0° ~ 360°
--------------------------------	--

Video

Resolution	4MP (2560x1440)
Frame Rate	25@4MP, 25fps@1080P, 25fps@720P
Video Output	1-channel BNC HD-CVI video output
Day/Night	Auto (ICR) / Manual
OSD Menu	Multi-language
BLC Mode	BLC / HLC / DWDR
WDR	DWDR
Gain Control	AGC
Noise Reduction	2D
White Balance	Auto / Manual
Smart IR	Auto / Manual

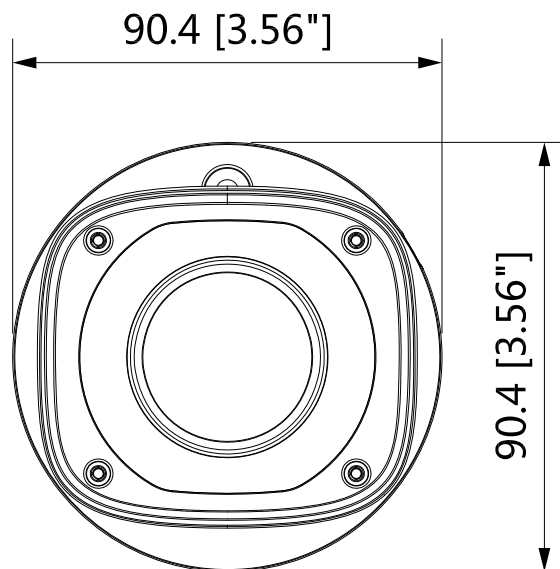
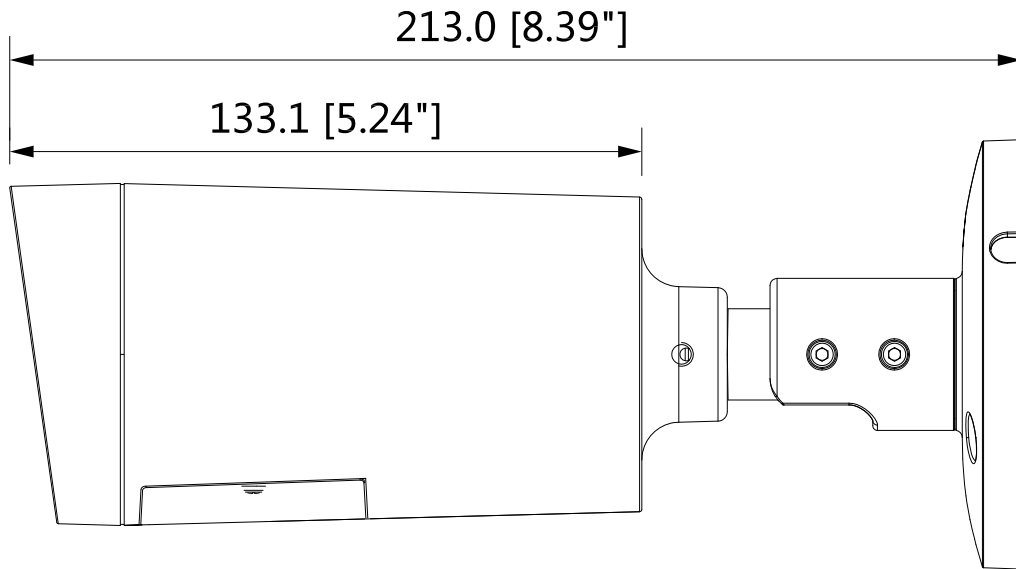
Interface

Audio Interface	N/A
------------------------	-----

General

Power Supply	12V DC ±25%
Power Consumption	Max 7.6W (12V DC, IR on)
Operating Conditions	-40°C ~ +60°C / Less than 90% RH
Storage Conditions	-40°C ~ +60°C / Less than 90% RH
Ingress Protection	IP66

Casing	Aluminium
Dimensions	213.0mm×90.4mm×90.4mm (8.39"×3.56"×3.56")
Net Weight	0.63kg (1.39lb)
Gross Weight	0.77kg (1.70lb)



All specifications are subject to change without notice. Copyright © Luxrite Ltd. All rights reserved