

SPRO[®]

SPD20/36R/30M-4-T

2Megapixel 1080P Water-proof
4 IN 1 (CVI / TVI / AHD / ANALOGUE)



Key Features:

- 2 megapixel CMOS sensor
- 1080P
- 3.6mm fixed lens
- 4 IN 1 (CVI / TVI / AHD / ANALOGUE)
- Max. IR distance 30m
- WDR
- IP66 waterproof housing
- DC12V



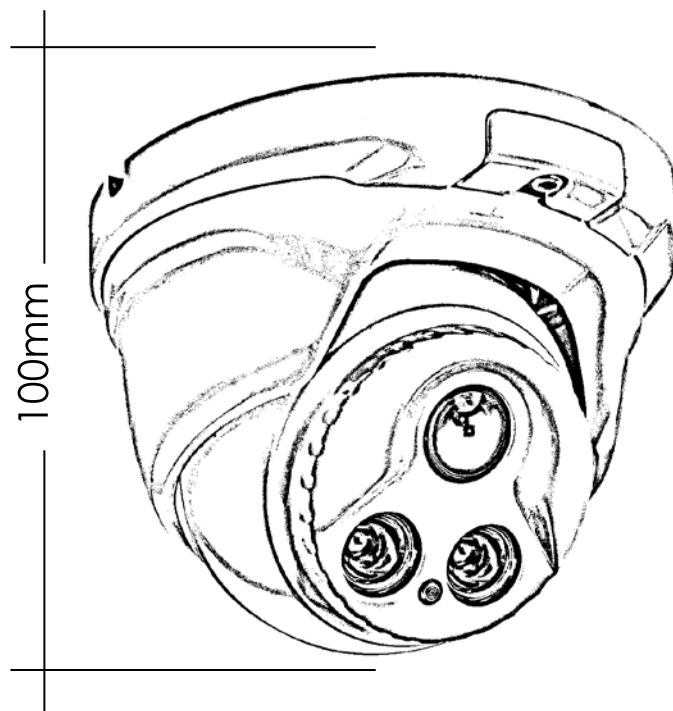
SPECIFICATIONS

Model Number	SPD20/36R/30M-4-T
Image Sensor	2 Megapixels CMOS
Resolution	1080P @25FPS
Pixels	1920(H) x 1080(V)
IR LED	2PCS POWERFUL IR LEDS
IR Series Distance	UP TO 30 METERS
Lens	Standard: 3.6mm
Minimum Illumination	0 Lux with IR on
S/N Ratio	More than 50DB

(continued)

(continued)

AGC	Auto
Video Out	4 IN 1 (CVI/TVI/AHD/ANALOGUE)
Day/Night	YES
Scanning System	Progressive scanning
Operation Temperature	-10 ~ +45°C
White Balance	Auto white balance
Power Source	12V DC, 465 mA
Dimension	145 (d) x 134 (w) x 100 (h) mm
Weight	Approx. 540g
Water Resistance	IP66



All specifications are subject to change without notice. Copyright © Luxrite Ltd. All rights reserved